



INSTRUCTION MANUAL

Item #s 01330, 01331, 01332, 01333, 01334, 01337, 01338, 01339, 01340, 01341, 01342, 01343, 01344, 01345, 01346, 01347, 01348, 01349, 01350, 01351

THIS PRODUCT IS INTENDED FOR USE OVER COVERED AQUARIUMS ONLY.

WARNING: This product is NOT SUBMERSIBLE. No part of the eLite LED Tube Light or transformer is intended to be submerged in water.

NOTE: The transformer is not included with this product. Please purchase the necessary 1 or 3 tube transformer, which is sold separately.

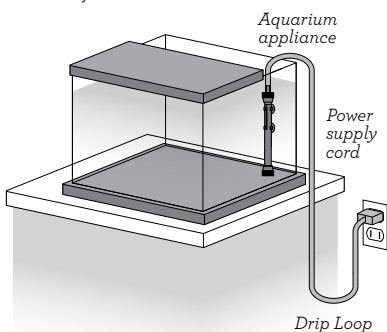
IMPORTANT SAFETY INSTRUCTIONS

WARNING: To guard against injury, basic safety precautions should be observed including the following:

READ AND FOLLOW ALL SAFETY INSTRUCTIONS

DANGER: To avoid possible electric shock, special care should be taken since water is employed in the use of aquarium equipment. For each of the following situations, do not attempt to repair yourself; return the appliance to an authorized service facility for service or discard the appliance.

1. A. If the appliance shows any sign of abnormal water leakage, immediately unplug it from the power source.
- B. Carefully examine the appliance after installation. It should not be plugged in if there is water on the parts not intended to be wet.
- C. Do not operate any appliance if it has a damaged cord or plug, if it is malfunctioning or if it is dropped or damaged in any manner.
- D. To avoid the possibility of the appliance plug or receptacle getting wet, position aquarium stand and tank to one side of the wall mounted receptacle to prevent water from dripping onto the receptacle or plug. A "drip loop," shown in the figure below, should be arranged by the user for each cord connecting an aquarium appliance to the receptacle. The "drip loop" is the part of the cord below the level of the receptacle, or the connector if an extension cord is used, to prevent water travel along the cord and coming in contact with the receptacle. If the plug or the receptacles do get wet, DO NOT unplug the cord. Disconnect the fuse to the circuit breaker that supplies power to the appliance. Then unplug and examine for the presence of water in the receptacle.
2. Close supervision is necessary when any appliance is used by or near children.
3. To avoid injury, do not contact moving parts or hot parts such as heaters, reflectors, lamp bulbs, etc.
4. Always unplug an appliance from the outlet when not in use, before putting on or taking off parts, and before cleaning. Never yank the cord to pull plug from the outlet. Grasp the plug and pull to disconnect.
5. Do not use an appliance for other than intended use. The use of attachments not recommended or sold by the appliance manufacturer may cause an unsafe condition.
6. Do not install or store the appliance where it will be exposed to the weather or to temperatures below freezing (32°F/0°C).
7. Make sure an appliance mounted on a tank is securely installed before operating it.
8. Read and observe all the important notices on the appliance.
9. If an extension cord is necessary, a cord with a proper rating should be used. A cord rated for less amperes or watts than the appliance rating may overheat. Care should be taken to arrange the cord so that it will not be tripped over or pulled from outlet.
10. ONLY FOR POLARIZED ATTACHMENT PLUG APPLIANCES: If this appliance has a polarized plug (one blade is wider than the other) as a safety feature, this plug will fit in a polarized outlet only one way. If the plug does not fit fully in the outlet, reverse the plug. If it still does not fit, contact a qualified electrician. Never use with an extension cord unless plug can be fully inserted. Do not attempt to defeat this safety feature.

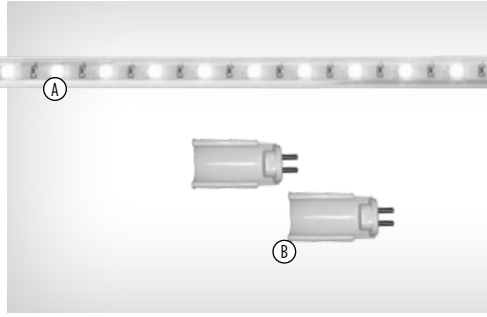


SAVE THESE INSTRUCTIONS

Parts



- A - eLite LED tube light
- B - T5 end adaptor (x2)
- C - T8 end adaptor (x2)
- D - Canopy mounting clip (x2)



Caution: Before installing or operating the lighting, read and understand all

RETROFIT INSTALLATION Into an existing fluorescent light fixture

1 Turn off and unplug your existing T5 or T8 fluorescent light fixture

Allow the lamp to cool for 15 minutes. Remove the fluorescent lamp from the fixture. **The power supply cord for the existing light fixture will no longer be used** and can be tied up or bound and placed in a location where it will stay dry and out of the way.

WARNING: LIGHT FIXTURE MUST BE UNPLUGGED—BIND OR DISCONNECT CORD FROM FIXTURE. POWER SHOULD **NOT** BE DELIVERED TO THE FIXTURE AS THE LED TUBES HAVE THEIR OWN SEPARATE POWER SUPPLY.

2 Install the appropriate end adaptors, either T5 or T8, that correspond to the sockets in the light fixture

The adaptor pins will install into the existing lamp sockets like you would a lamp, by inserting the pins and rotating them into position. See Figure 1. Make sure the adaptor openings are facing so that the LED tube(s) can be snapped into the adaptor.

3 Snap the ends of the LED light(s) into the adaptors and rotate the lamp so the LEDs are facing the direction you would like the light to shine

You may need to support the adaptor as you snap the LED light in place. Route the power cord out of the light fixture and connect the plug for each LED tube light to the 1 or 3 tube transformer (sold separately). Slide the protective rubber sleeve over the connection(s) to protect it from moisture. Once all connections are made, the transformer can be plugged into an acceptable outlet and the eLite LED Tube Light is ready for use.

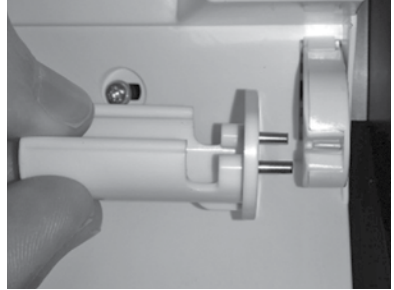
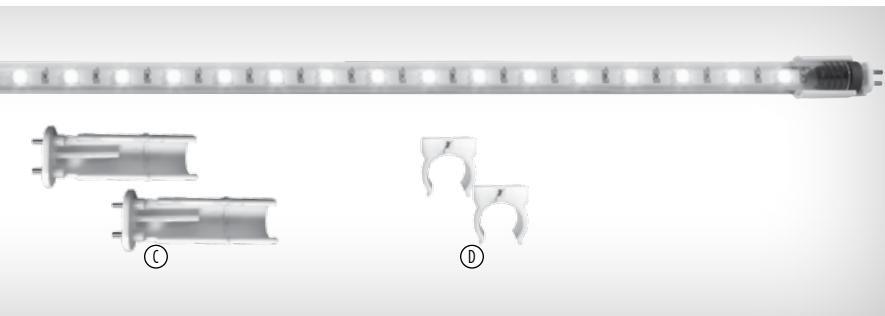


Fig. 1



safety instructions and warnings.

CANOPY INSTALLATION

Into an aquarium canopy or existing hood

1 Install the canopy mounting clips to the underside of the canopy using appropriately sized screws

Hardware used must be capable of supporting the weight of the installed eLite LED Tube Light. The clips must be installed in-line with one another and spaced so they will clip approximately 4 inches in from each end of the LED tube.

See Figure 2.

2 Snap the ends of the LED tube light(s) into the mounting clips and rotate the lamp so the LEDs are facing the direction you would like the light to shine

Connect the plug for each LED tube light to the 1 or 3 tube transformer (sold separately). Slide the protective rubber sleeve over the connection(s) to protect it from moisture. Once all connections are made, the transformer can be plugged into an acceptable outlet and the eLite LED Tube Light is ready for use.

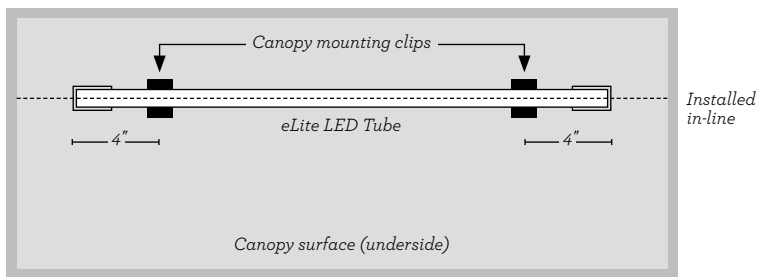


Fig. 2

LED Tube Size/Output

LED Tube Size	Cool White Daylight			Lunar Blue			Plant & Coral Growth			High-Def Color		
	Wattage	LED Count	Lumen Output	Wattage	LED Count	Lumen Output	Wattage	LED Count	Lumen Output	Wattage	LED Count	Lumen Output
18"	3.0	14	280	2.0	9	13	3.0	14	190	3.0	14	245
24"	4.0	20	400	2.5	13	19	4.0	20	275	4.0	20	350
30"	5.5	26	520	3.5	17	26	5.5	26	340	5.5	26	455
36"	7.0	32	640	4.5	21	31	7.0	32	425	7.0	32	560
48"	10.0	45	900	6.0	30	45	10.0	45	595	10.0	45	788

Limited 12-Month Warranty

What the Warranty Covers

Elive LLC (Company) warrants this Elive product (see exclusions below) to the original purchaser against defective material and workmanship that occurs during normal in-home use for 12 months from the original purchase date. The Company will, at the Company's option, either repair or replace same without charge (but no cash refunds will be made). This warranty is limited to replacement or repair of product only and does not cover loss of aquarium life, personal injury, property loss, or damage arising from the use of the product.

Exclusions:

1. Damage resulting from accident, misuse, abuse, lack of reasonable care, subjecting the product to any but the specified electrical service, other than normal or ordinary use of the product, subjecting the product to abnormal working conditions or any other failure not resulting from defects in materials or workmanship.
2. Damage resulting from modification, tampering with, or attempted repair by anyone other than the Company.
3. Transfer of product to someone other than the original consumer purchaser.

What you must do to enforce the warranty:

Contact the Company by telephone at
1-855-ELIVE18 / 1-855-354-8318

Or contact the Company by writing to
Elive LLC
2725 South Moorland Road Suite# 102
New Berlin, WI 53151
Attention: Warranty

Or contact the Company by email to
elivesupport@elivepet.com
Via website www.elivepet.com

You must pay any postage, shipping charges, insurance costs and other expenses to return the product along with the original cash register receipt to Elive LLC. However, if the necessary repairs are covered by the warranty, the Company will pay the return shipping charges to any destination within the United States or Canada.

Limitation of implied warranties and exclusion of certain damages:

The Company disclaims liability for incidental and consequential damages for breach of any express or implied warranty, including any implied warranty of merchantability, with respect to this product. This writing constitutes the entire agreement of the parties with respect to the subject matter hereof: no waiver or amendment shall be valid unless in writing signed by the Company. Some states do not allow the exclusion or limitation of consequential damages, so the above limitation or exclusion may not apply to you.

MADE IN CHINA

Elive LLC
2725 South Moorland Road, Suite 102
New Berlin, WI 53151
1.855.ELIVE18 / 1.855.354.8318
elivepet.com

elive™
extraordinary *pets*